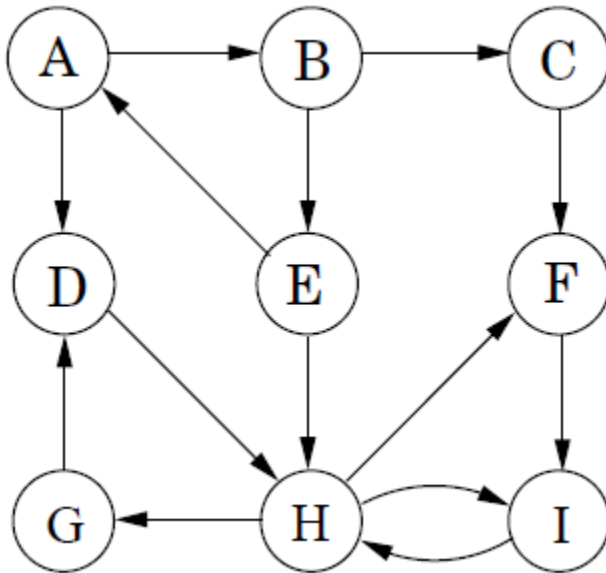


CSC380 Homework-4 (carries 5% of course grade) Due on December 3, 2019

1. Perform Depth-first search on the following graph; whenever there is a choice of vertices pick the one that is alphabetically first. Classify each edge as a tree edge, forward edge, back edge or cross edge.



2. For the following network, with edge capacities as shown, find the maximum flow from S to T, along with a matching cut. (show all your work).

