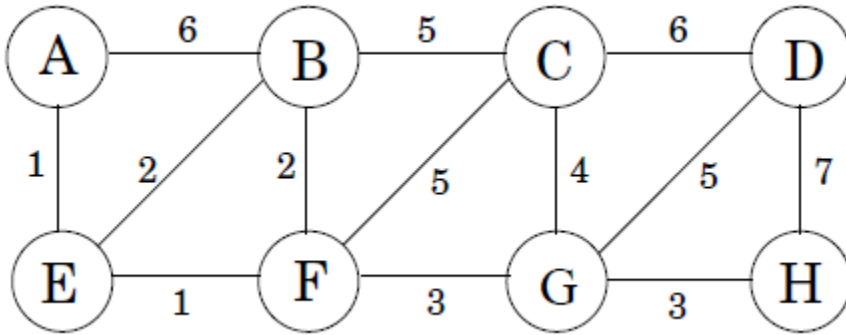


Csc380 Homework-3 (carries 10% of grade) Due Nov. 5

- Run Kruskal's algorithm on the following graph. In what order are the edges added to the MST? What is the cost of its minimum spanning tree?



- Starting at node S (correction not A), use the Bellman-Ford Algorithm to find Single-Source shortest path for the following graph.

- Construct a table showing the intermediate distance values of all the nodes at each iteration of the algorithm
- Show the final shortest path tree.

